

SPF TERMINAL

Crimp style terminals for 2.36mm(.093") diameter pins

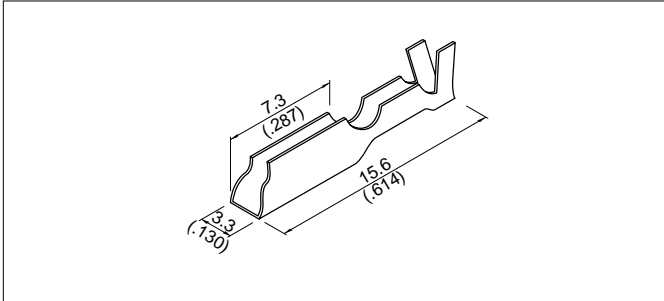


This terminal is used with 2.36mm (.093") diameter GT pins. The SPF terminal has a large contact area, withstands stress caused by repeated insertions and removals, and provides excellent retaining force. It is best suited for circuit connections that require a large current.

Specifications

- Current rating: 5A AC, DC
- Temperature range: -25°C to +85°C
(including temperature rise in applying electrical current)
- Contact resistance: Initial value/3m Ω max.
After environmental testing/5m Ω max.
- Applicable wire: AWG #24 to #20
- Applicable PC board thickness: 1.6mm(.063")
- * Refer to "General Instruction and Notice when using Terminals and Connectors" at the end of this catalog.
- * Contact JST for details.

Terminal



Model No.	Applicable wire			Qty / reel
	mm ²	AWG#	Insulation O.D. mm(in.)	
SPF-01T-2.5C	0.2 to 0.5	24 to 20	1.6 to 2.7(.063 to .106)	10,000

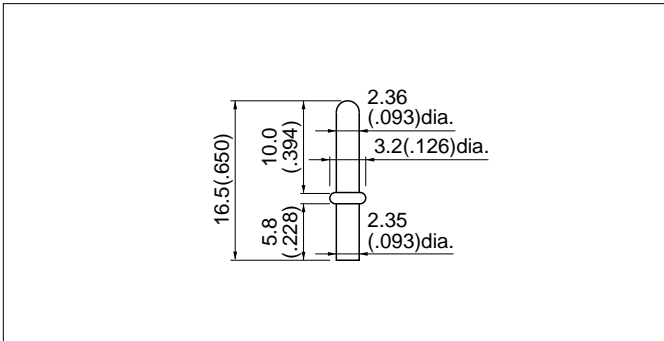
Material and Finish

Brass, tin-plated

Note:

Contact JST for details if you require shielded wires or wires other than those listed above, or if two wires must be crimped.

Pin



Model No.	Applicable PC board		Qty / box
	Thickness mm(in.)	Hole diameter mm(in.)	
RT-01N-2.3A	1.6(.063)	2.36±0.05(.093±.002)	5,000

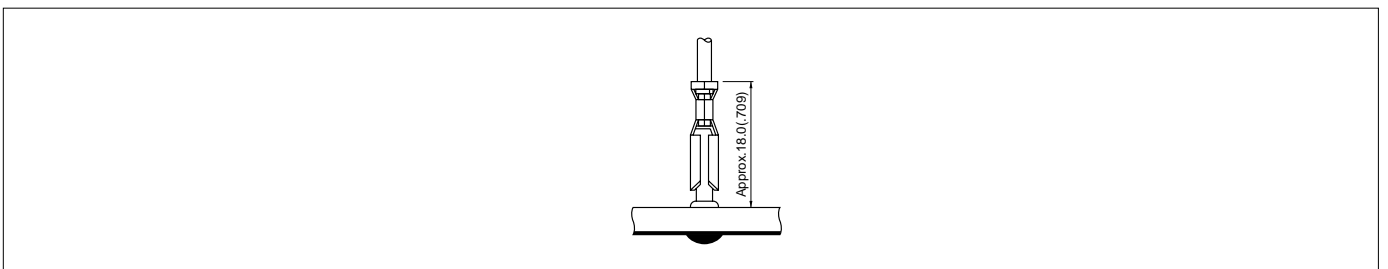
Material and Finish

Brass, copper-undercoated, nickel-plated

Note:

Hole dimensions may differ according to the kind of PC board and piercing method.

Assembly layout



Applicator for the semi-automatic press AP-K2N

Contact	Crimp applicator MK-L	
	with safety cover	without safety cover
SPF-01T-2.5C	APLMK SPF01-25C	APLNC SPF01-25C